



Gold & Silver Safekeeper[®] Oval Spinning Mirrored Jewelry Cabinet

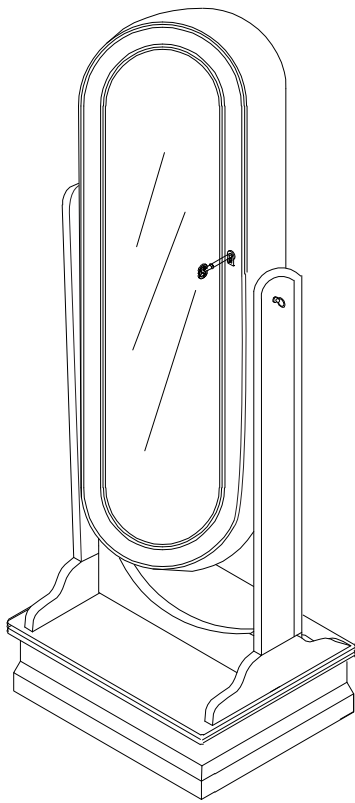
Enclosed is my Oval Spinning Mirrored Jewelry Cabinet. It stores and displays your jewelry items and will keep them from tarnishing for 25 years or more. Plus, it is a full length mirror on both sides.

Please note:

- Carefully unpack the box and ensure you find all the hardware and parts listed on the attached instructions before discarding any packaging.
- All the parts you need, screws, dowels, and keys are packed along side the styrofoam packaging.
- When removing the protective plastic and tape from the wood items, take care and do not cut or scratch the surfaces.
- The only tool required for assembly is a screw driver.
- We recommend that you assemble the Oval Spinning Mirror Jewelry Cabinet close to the location you will be using it so it does not need to be carried or moved far.
- Total weight is approx.. 70 Lbs – 2 person assembly is recommended.

Please read and follow the instructions and diagrams on the next pages. Read carefully.





HARDWARE LIST

(1) 24pcs	(2) Cam Screw 8pcs	(3) Cam Lock 8pcs	(4) 4pcs	(5) Long Screw 6pcs
(6) 2pcs	(7) 2pcs	(8) Pin 1pc	(9) 2pcs	(10) 1pc

PARTS LIST

A 2pcs	B 2pcs	C 1pc	D 1pc	E 1pc
F 1pc	G 1pc			

First-Tips on Cam Locks and Cam Screws:

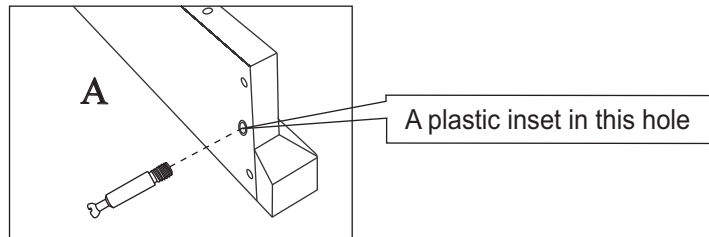
Cam Screw



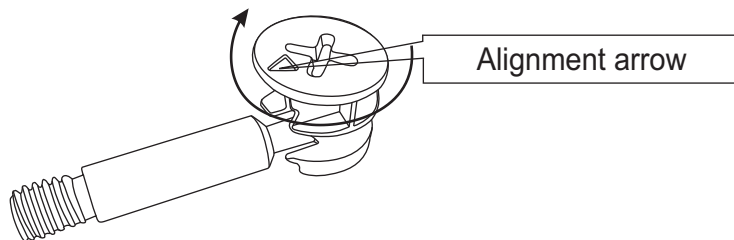
Cam Lock



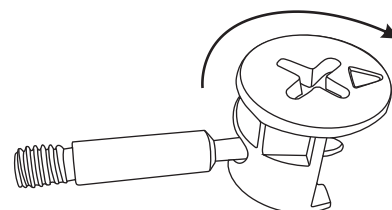
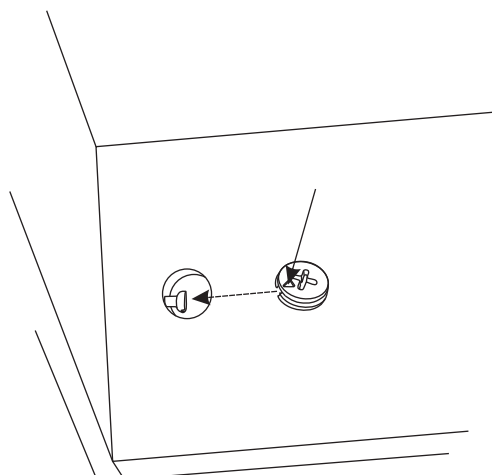
Tip 1: Cam Screws need to be fully screwed into the plastic insert in wood. The cam screw gets tight as you screw it in. Make sure all the threaded part is screwed in so cam screw post is fully seated.



Tip 2: On the top face of the cam lock is an alignment arrow. This alignment arrow needs to point towards the hole which the cam screw will pass through. This automatically lines up the opening for the cam screw head to fit into on the cam lock.



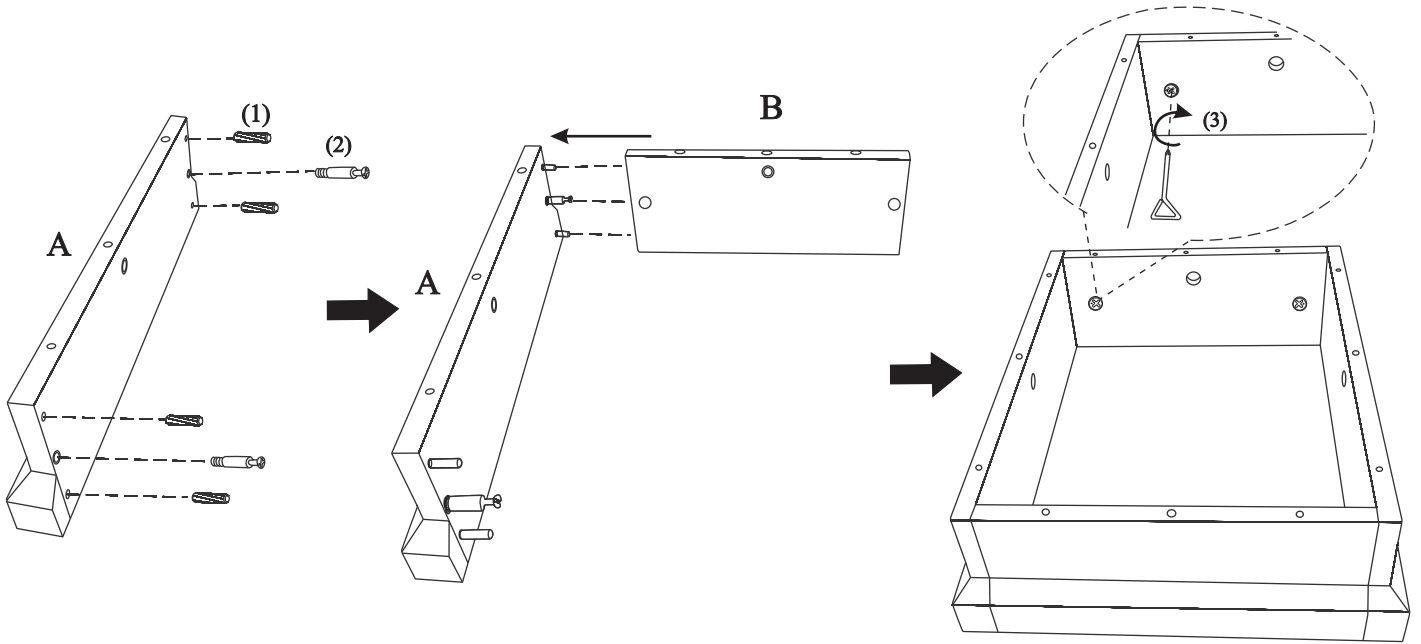
Tip 3: Be sure cam lock engages fully and that it hooks onto screw head. It is important to press the boards together fully so that cam lock can engage cam screw head. If you have done this and cam lock cannot engage screw heads, take boards apart and loosen cam screw a couple turns, so more head appears in hole to engage cam lock. If cam locks too loose, take boards apart, screw in tighter so less screw head appears in hole and cam lock engages tighter.



Turn cam lock counter clockwise until tight

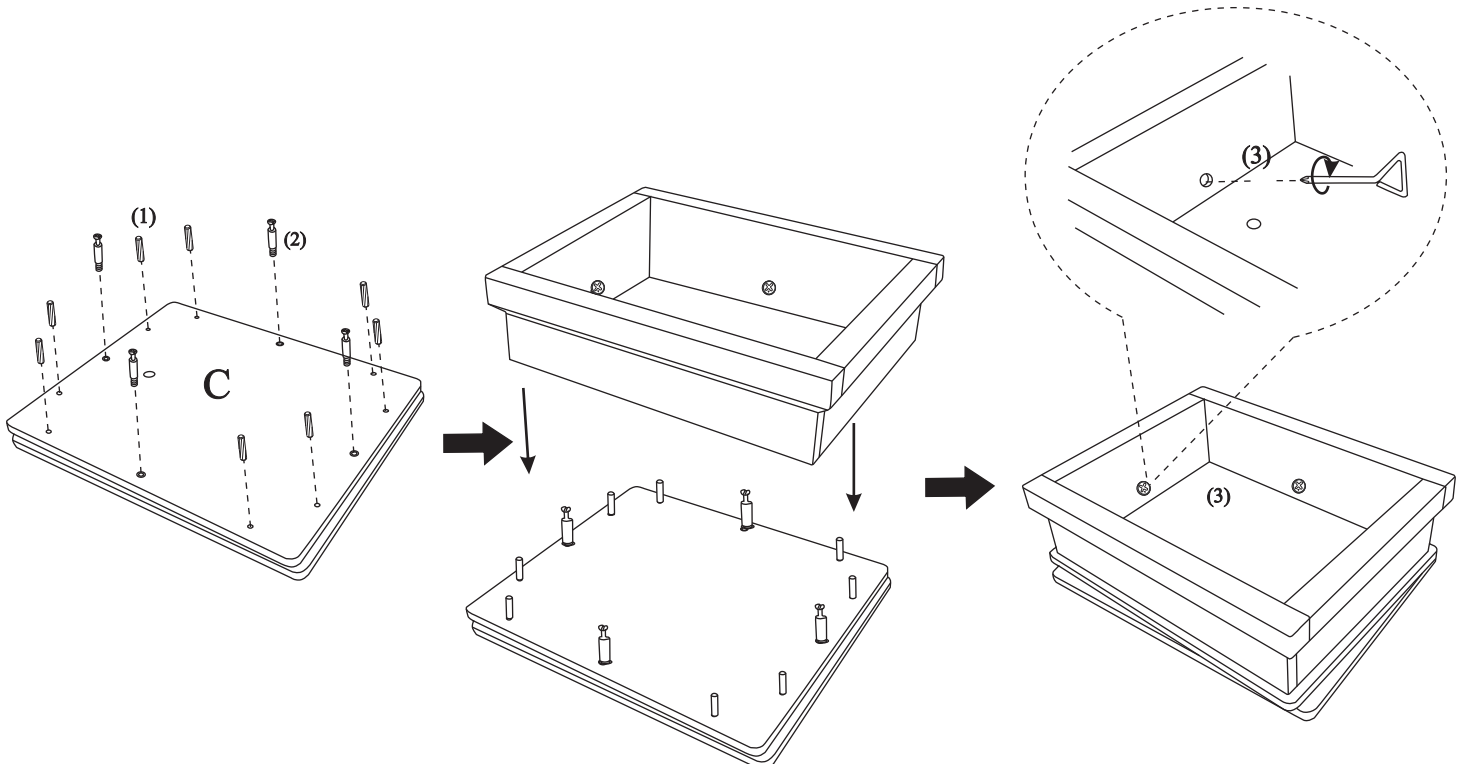
Step 1 – Assemble the Base:

Insert 4 wood dowel pegs(1) and screw 2 cam screws(2) into each long base boards(A).Join short base boards(B) by aligning dowels and cam screw with holes and press together. Lock each end of short base board by inserting 2 cam locks(3) into inside hole and turning each cam lock clockwise $\frac{1}{2}$ turn until tight using screw driver supplied.



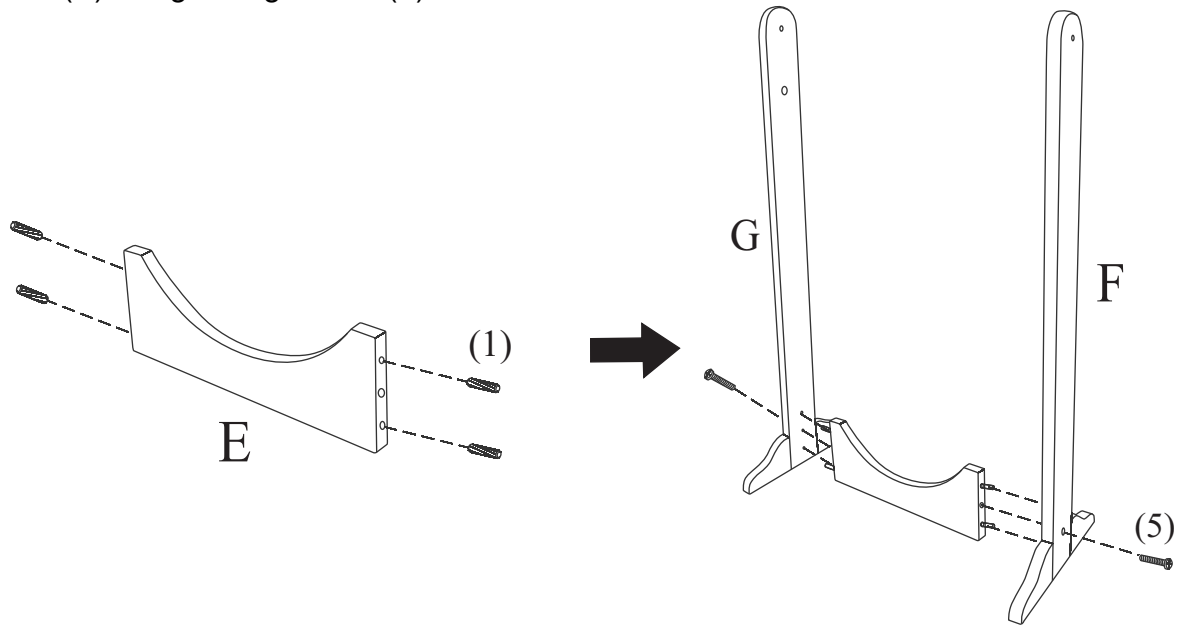
Step 2-Attach Rotating Platform to the Base:

Place Rotating Platform(C) upside down on padded surface. Insert 8 Wood Dowel pegs(1) and 4 Cam Screws(2) into bottom of the Rotating Platform(C).Join assembled Base from step 1 to Rotating Platform by turning it upside down and aligning Dowels and Cam Screws with holes in the bases. Press together tightly. Lock Platform to base by inserting 4 cam locks(3) into inside holes of base and turning clockwise $\frac{1}{2}$ turn, until the base is tight.



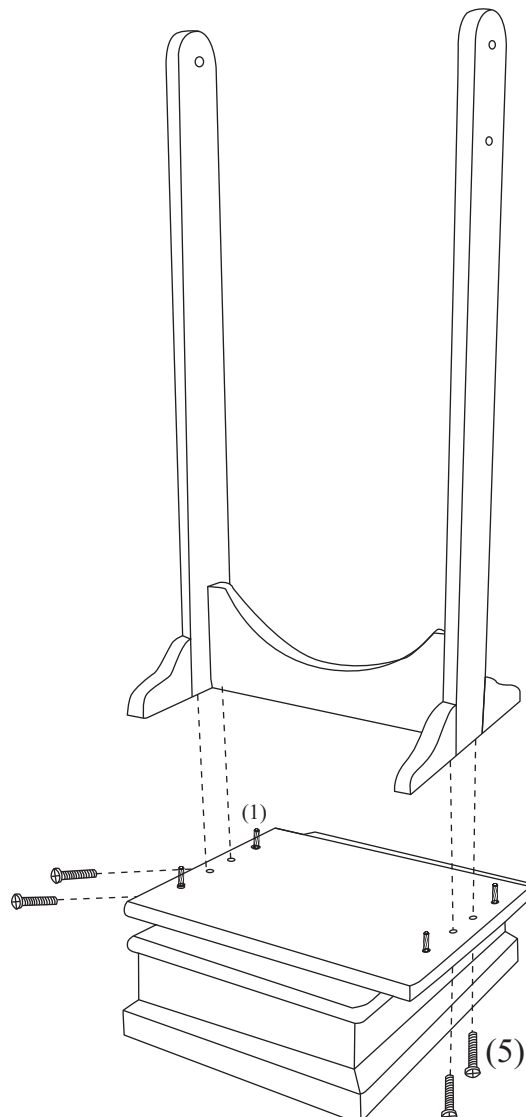
Step3-Assemble legs:

Insert 2 Wood Dowels(1) into each end of Wood Crosspieces(E). Attach 2 Legs(F and G) to Crosspieces(E) using 2 long screws(5)

**Step 4-Attach Legs to Platform:**

Insert 4 Wood Dowels(1) into Platform, mount assembled Legs onto Platform by aligning Dowel holes. Insert 4 long screws(5) through Platform into Legs and tighten securely.

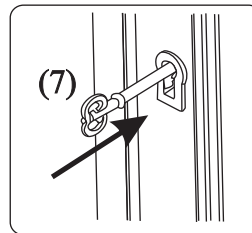
Note: swivel Base to side as shown below to access the holes from underneath.



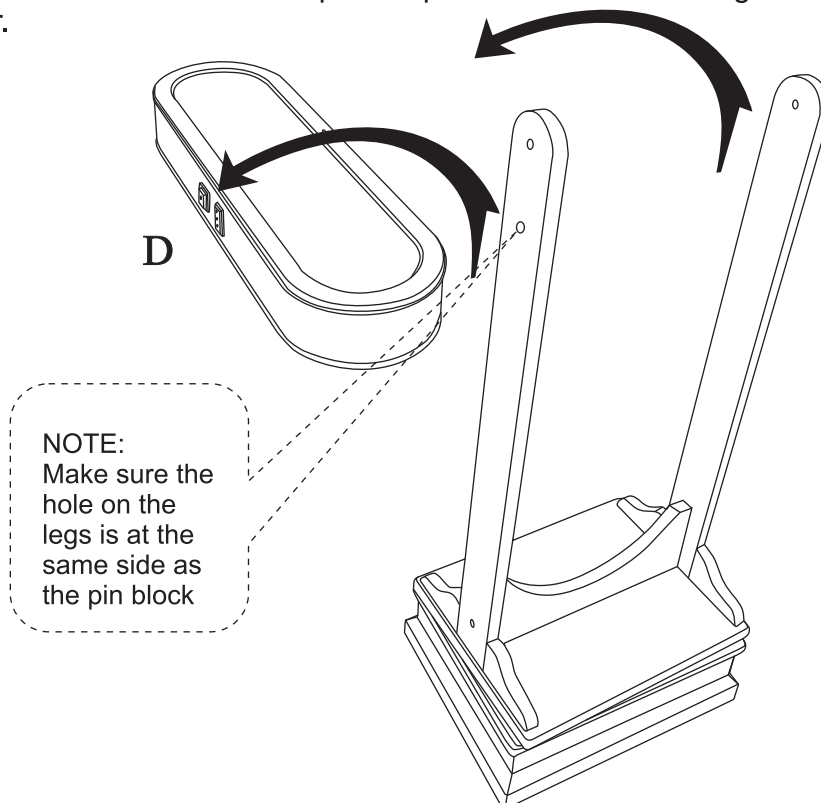
Step 5 – Attach Mirror Cabinet to the Legs:

NOTE: THIS STEP TAKES 2 PEOPLE

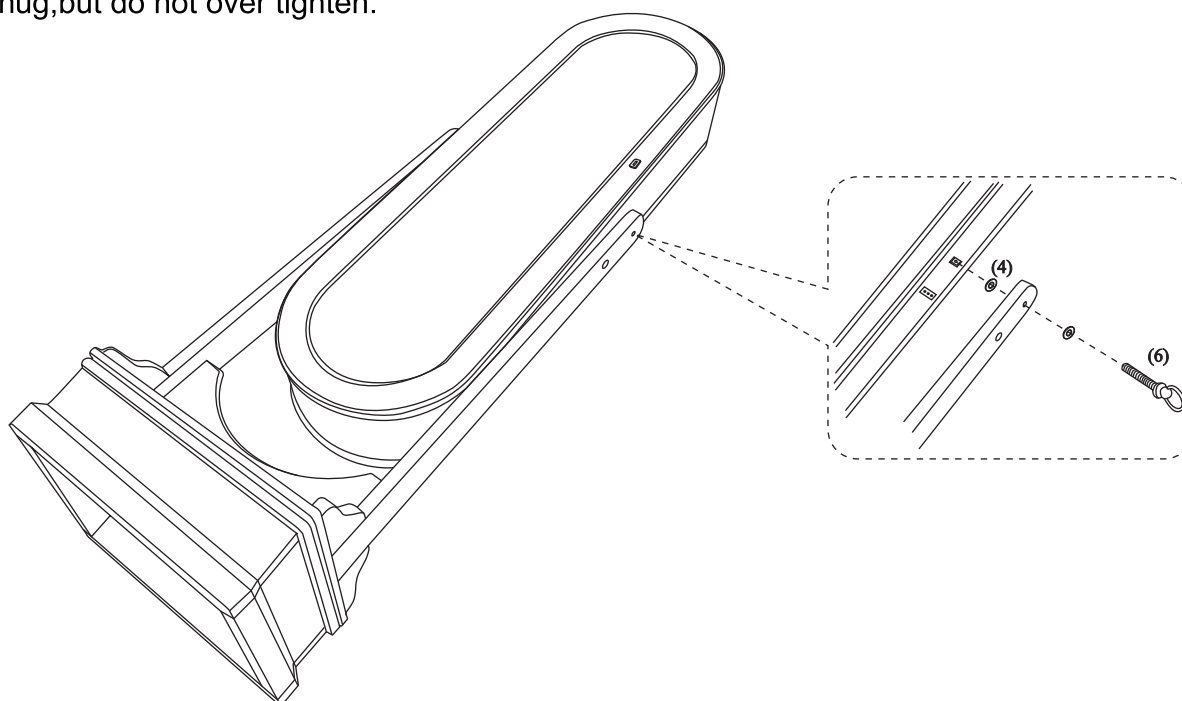
TO AVOID DAMAGE DURING THE ASSEMBLY PROCESS, LOCK THE CABINET DOORS SHUT SO THEY DO NOT SWING OPEN DURING SET UP.



Have one person hold the mirror flat on the floor. Second person place the Base and Legs horizontally with mirror on the floor.



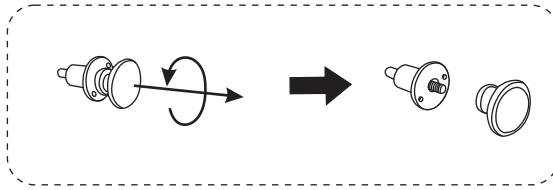
Line up the screw holes on legs to the side holes in the mirror and insert 2 loop screws(6) with 4 Washers(4).Put 1 Washer on each side of wood leg. Then screw loop screw in. Twist until snug, but do not over tighten.



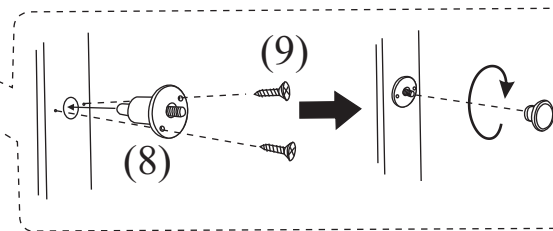
Next: have both people lift the mirror and tilt entire unit upright.

Step 6 – Attach Mirror Angle Adjustment Pin:

a). Remove cap knob from Adjustment Pin(8) by unscrewing, counter clockwise.

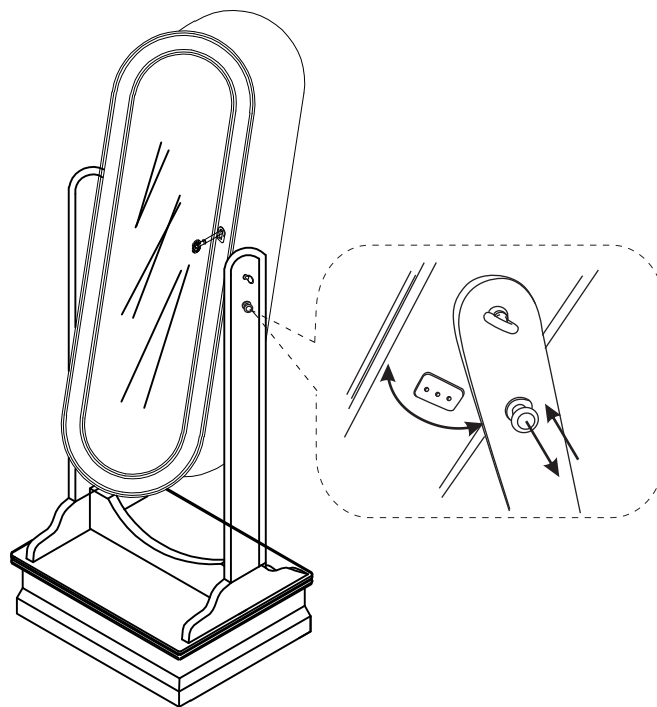


b). Insert Adjustment Pin(8) through Leg G and align holes in metal base so they are level/horizontality. Attach using 2 Little Screws(9) to anchor.



c). Replace cap knob onto Adjustment Pin by screwing on clockwise. Note: when inserting Adjustment Pin in Leg G, line up holes on mirror side so tip of pin goes in, and base plate of Adjustment Pin(8) rests flush against leg.

To adjust the angle of the Mirror, pull the Adjustment Pin out approx. ¼" and tilt Mirror to desired angle then let go of Adjustment Pin and make sure it engages in one of the holes.



Step 7 – Opening and Locking Cabinet Doors:

Two Keys (7) is provided that opens each door. Turn counter clockwise to open.

Note: The doors also have a Tension Clasp inside each which holds the door tightly closed. To open: level the cabinet, hold cabinet top with one hand, then pull door open strongly with the other. To close: hold cabinet with one hand, firmly push door closed until it snaps closed.

About your Gold and Silver Safekeeper®

Congratulations on receiving your Jewelry Cabinet! I hope you enjoy it as much as I do!

About the Storage Sections & Their Uses:

- **The Earring Bars** - Meant for hanging pierced & clip on earrings. Pierced, simply place earring post/ wire into the slots on the cross bar secure backings. Clip-ons simply clip on the cross bar).
**Be careful not to put too much pressure on the Earring Bars when placing your earrings on and off.*
***NOTE - Large hoop earrings & thick earrings that stick out a lot should be placed on the shelves- not the earring bars, so as not to obstruct the door when closing.**
- **Bracelet and Necklace Hooks.** Hang your chain style jewelry on the Hooks. You can double and triple stack thin ones.
- **Ring Pad** - this area has slits aligned horizontally across the whole pad. Simply press your rings into the slits. The foam core will hold your rings safely in place.
- There are **numerous storage shelves** - These shelves can be used for items that do not fit into the other specialize portions of the cabinet, like pins, bangles, cuffs * other large pieces.

REMEMBER: Always keep the doors of your Silver Safekeeper® closed when not in use, for the anti-tarnish properties to work. It's designed to prevent tarnishing of your silver jewelry, but doesn't remove tarnish from tarnished pieces.

Please Note:

We recommend using ONLY a Silver Polishing Cloth to clean tarnished jewelry. Many liquid /paste jewelry cleaners have sulfur & other chemicals which while removing tarnish, can also cause tarnishing if not fully rinsed off. If using liquid / paste cleaners, make sure they are thoroughly rinsed & your jewelry is 100% free of any residue. This requires several minutes of rinsing with clean water.

ALSO NOTE: Upon first opening your jewelry cabinet, you may notice an Odor, which is part of the lacquer & finishing process of the box. This odor is normal and will dissipate in time.

Please Visit my website at:

www.LoriGreiner.com

See Dates and times of my QVC & Shark Tank shows. Also sign up for my newsletter which informs about exciting new products, giveaways & more.

I'm very active so please Join me on

Facebook: [www.Facebook.com/LoriGreiner1](https://www.facebook.com/LoriGreiner1)

Twitter: [@LoriGreiner](https://twitter.com/LoriGreiner)

© 2011 All Rights Reserved - For Your Ease Only, Inc., P.O. Box 385, Winnetka, IL 60093

US Patent: D667237 plus several additional Patents and Patents Pending – US and International

Fabric made in the USA, jewelry cabinet made in China.