



fitbit alta HR™



Product Manual
Version 1.0

Table of Contents

- Getting Started1**
 - What's in the box.....1
 - What's in this document1
- Setting up your Fitbit Alta HR2**
 - Setting up your tracker on your mobile device.....2
 - Setting up your tracker on your Windows 10 PC.....2
 - Setting up your tracker on your Mac 3
 - Syncing your tracker data to your Fitbit account 4
- Getting to know your Fitbit Alta HR 5**
 - Wearing your tracker 5
 - Placement for all-day wear vs exercise 5
 - Wrist choice and dominant hand7
 - Using the Tap Display7
 - Recharging the battery 8
 - Finding your current battery level..... 8
 - Charging instructions..... 9
 - Caring for your tracker 9
 - Changing the wristband.....10
 - Removing a wristband.....10
 - Attaching a new wristband..... 11
- Automatic Tracking with Fitbit Alta HR12**
 - Viewing all-day stats12
 - Viewing your heart rate13
 - Using heart-rate zones13
 - Default heart-rate zones14

Custom heart rate zones	15
Tracking a daily activity goal	15
Choosing a goal.....	15
Seeing goal progress.....	15
Tracking exercise.....	15
Tracking hourly activity.....	16
Sleep Tracking	17
Setting sleep goals.....	17
Setting up bedtime reminders.....	17
Learning about your sleep habits.....	17
Using Silent Alarms	18
Receiving Call, Text & Calendar Notifications	19
Calendar requirements	19
Enabling notifications	19
Viewing incoming notifications.....	20
Customizing your Fitbit Alta HR.....	21
Changing the clock face and orientation	21
Using Quick View.....	21
Adjusting the heart rate tracker	21
Updating your Fitbit Alta HR	22
Troubleshooting your Fitbit Alta HR.....	23
Heart-rate signal missing.....	23
Unexpected behavior.....	23
Fitbit Alta HR General Info & Specifications	25
Sensors.....	25
Materials	25
Wireless technology	25
Haptic feedback	25

Battery	25
Memory	25
Display.....	26
Size	26
Environmental conditions.....	27
Learn more	27
Return policy and warranty	27
Regulatory & Safety Notices	28
USA: Federal Communications Commission (FCC) statement	28
Canada: Industry Canada (IC) statement.....	29
European Union (EU)	29
Australia and New Zealand.....	30
China.....	30
Mexico	31
Israel.....	31
Japan	31
Oman	32
Philippines	32
Serbia.....	32
Singapore.....	32
South Africa	33
South Korea	33
Taiwan.....	34
United Arab Emirates.....	34
Safety statement.....	35

Getting Started

Welcome to Fitbit Alta HR™, the heart rate wristband that motivates you to reach your goals in style. Take a moment to review our complete safety information at <http://www.fitbit.com/safety>.

What's in the box

Your Fitbit Alta HR box includes:



Tracker



Charging cable

The top and bottom detachable wristbands can be swapped for other colors and materials sold separately.

What's in this document

We get you started creating a Fitbit® account and making sure your tracker can transfer the data it collects to your dashboard. The dashboard is where you'll set goals, analyze historical data, identify trends, log food and water, keep up with friends, and much more. As soon as you're done setting up your tracker, you're ready to start moving.

Next, we explain how to find and use the features that interest you and adjust your preferences. To find more information, tips, and troubleshooting, please browse our comprehensive articles at help.fitbit.com.

Setting up your Fitbit Alta HR

For the best experience we recommend using the Fitbit app for iOS, Android, or Windows 10. If you don't have a mobile device, you can also use a Bluetooth®-enabled Windows 10 PC or Mac. For non-Bluetooth options visit help.fitbit.com.

Your Fitbit account asks for information such as height, weight, and gender to make various calculations such as stride lengths to estimate distance and basal metabolic rate to estimate calorie burn. Your name and average daily step count are visible to Fitbit friends by default. You have the option to share your age, height, or weight with Fitbit friends but the information you provide is private by default.

Setting up your tracker on your mobile device

The free Fitbit app is compatible with more than 200 mobile devices that support iOS, Android, and Windows 10 operating systems.

To get started:

1. Make sure the Fitbit app is compatible with your mobile device by checking <http://www.fitbit.com/devices>.
2. Find the Fitbit app in one of these locations, depending on your device:
 - The Apple® App Store® for iOS devices such as an iPhone® or iPad®.
 - The Google Play™ Store for Android devices such as the Samsung® Galaxy® S6 and Motorola Droid Turbo 2.
 - The Microsoft® Windows Store for Windows 10 mobile devices such as the Lumia™ phone or Surface™ tablet.
3. Install the app. Note that if you don't have an account with the store you'll be required to create one before you can download the app.
4. When the app is installed, open it and tap **Join Fitbit** to be guided through a series of questions that help you create your Fitbit account, or login to your existing account.
5. Continue following the onscreen instructions to connect, or *pair*, your Alta HR to your mobile device. Pairing makes sure the tracker and mobile device can communicate with one another (sync data back and forth).

When you're done pairing, read through the guide about your new tracker and then explore the Fitbit dashboard.

Setting up your tracker on your Windows 10 PC

If you don't have a mobile device, you can set up and sync your tracker using a Bluetooth-enabled Windows 10 PC. The same Fitbit app that is available for Windows 10 mobile devices is available for your computer.

To get the Fitbit app for your computer:

1. Click the Start button on your PC and open the Windows Store (called Store).
2. Search for “Fitbit app” and when you find it click **Free** to download the app to your computer.
3. If you’ve never downloaded an app to your computer you’ll be prompted to create an account with the Windows Store.
4. Click **Microsoft account** to sign in with your existing Microsoft account. If you don’t already have an account with Microsoft, follow the onscreen instructions to create a new account.
5. Open the app after it’s done downloading.
6. Click **Join Fitbit** to be guided through a series of questions that help you create a Fitbit account, or login to your existing account.
7. Continue following the onscreen instructions to connect, or *pair*, your Alta HR with the Windows 10 app. Pairing makes sure the tracker and app can communicate with one another (sync data back and forth).

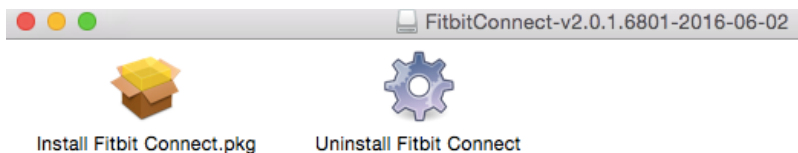
When you’re done pairing, read through the guide about your new tracker and then explore the Fitbit dashboard.

Setting up your tracker on your Mac

If you don’t have a compatible mobile device, you can set up your tracker with a Bluetooth-enabled Mac and use the fitbit.com dashboard to see your stats. To use this method you’ll first install a free software application called Fitbit Connect that lets Alta HR sync its data with your fitbit.com dashboard.

To install Fitbit Connect and set up your tracker:

1. Go to <http://www.fitbit.com/setup>.
2. Scroll down and click the option to download. If the button does not correctly show your type of computer (for example, if it says “Download for Mac”), choose the correct type, then click the button.
3. You’ll see an option to open or save a file; choose open. After several seconds you’ll see an option to install Fitbit Connect.



4. Double-click Install Fitbit Connect.pkg. The Fitbit Connect installer opens.
5. Click **Continue** to move through the installer.
6. When prompted, choose **Set up a New Fitbit Device**.
7. Follow the onscreen instructions to create a Fitbit account, or login to your existing account, and connect your tracker with Fitbit Connect.

When you’re done with the setup steps, Fitbit guides you through an introduction to your new Alta HR and then takes you to the fitbit.com dashboard.

Syncing your tracker data to your Fitbit account

When you start using your Alta HR you'll need to regularly sync it with your Fitbit dashboard. The dashboard is where you'll track progress, see your exercise history, track your sleep patterns, participate in challenges, and much more. We recommend syncing at least once a day.

The Fitbit apps and Fitbit Connect use Bluetooth Low Energy (BLE) technology to sync with your Fitbit tracker.

Each time you open the Fitbit app it syncs automatically if the paired tracker is nearby. You can also use the Sync Now option in the app at any time.

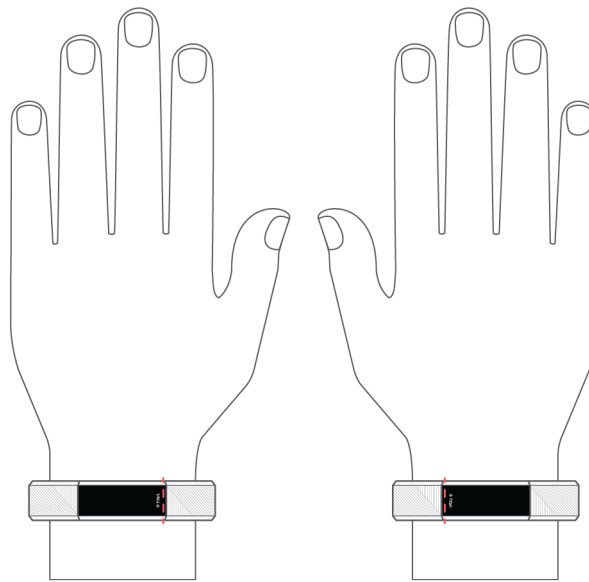
Fitbit Connect on your Mac syncs every 15 minutes if the tracker is within 30 feet of the computer. To force a sync, click the Fitbit Connect icon located near the date and time on your computer and choose Sync Now.

Getting to know your Fitbit Alta HR

This section tells you how best to wear, navigate, and recharge your tracker. If you bought an accessory wristband, you'll also find instructions for taking off the original band and putting on a different one.

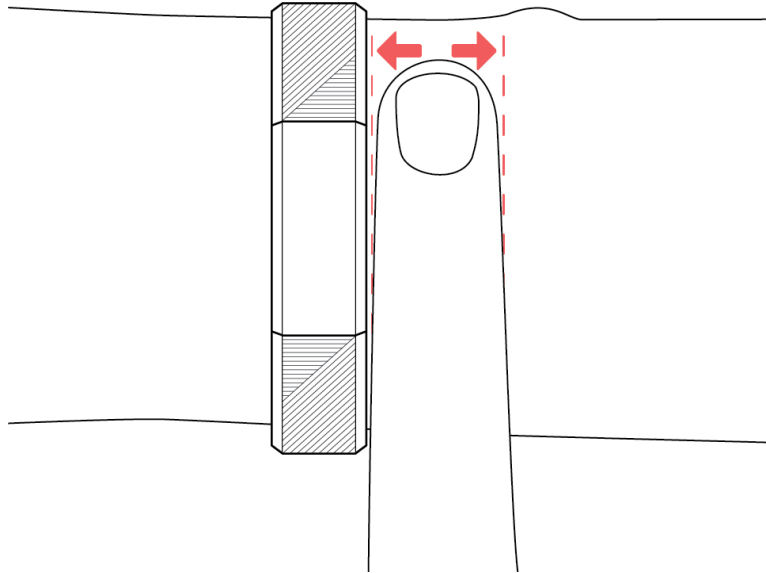
Wearing your tracker

Place your Alta HR around your wrist. The side of the tracker marked with "fitbit" should be on the inside or bottom of your wrist.



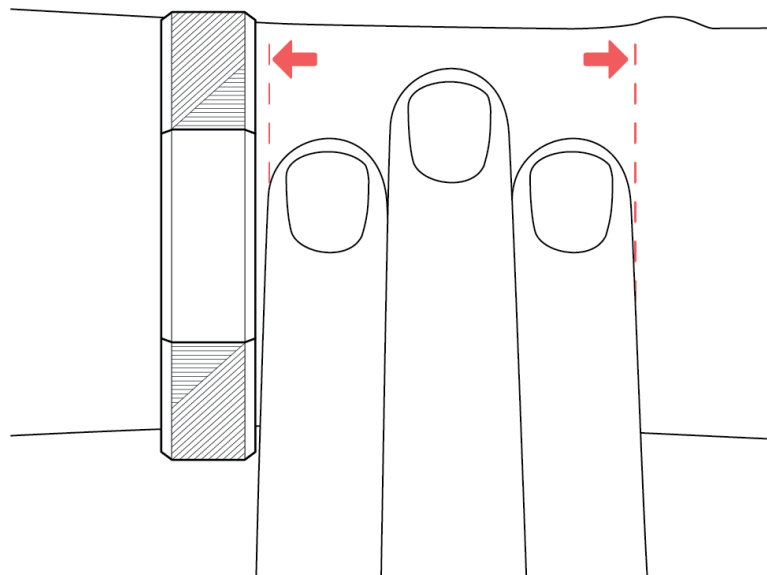
Placement for all-day wear vs exercise

For all-day wear when you're not exercising, your Alta HR should usually rest a finger's width below your wrist bone and lay flat, as you would normally wear a watch.



For optimized heart rate tracking keep these tips in mind:

- Experiment with wearing the tracker higher on your wrist during exercise. Because blood flow in your arm increases the farther up you go, moving the tracker up a couple inches can improve the heart rate signal. Also, many exercises such as bike riding or weight lifting cause you to bend your wrist frequently, which is more likely to interfere with the heart rate signal if the tracker is lower on your wrist.



- Do not wear your tracker too tight; a tight band restricts blood flow, potentially affecting the heart rate signal. That being said, the tracker should also be slightly tighter (snug but not constricting) during exercise than during all-day wear.
- With high-intensity interval training or other activities where your wrist is moving vigorously and non-rhythmically, the movement may limit the sensor's

ability to provide a heart rate reading. Similarly, with exercises such as weight lifting or rowing, your wrist muscles may flex in such a way that the band tightens and loosens during exercise. If your tracker does not show a heart rate reading, try relaxing your wrist and staying still briefly (about 10 seconds), after which you should see a heart rate reading.

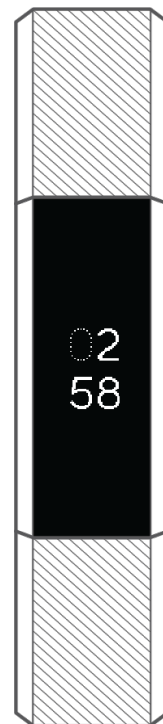
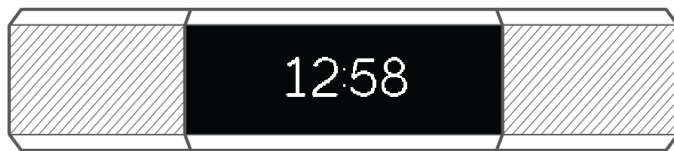
Wrist choice and dominant hand

For greater accuracy and ease of use, Alta HR needs to know which wrist you wear it on (right or left) and which hand you consider dominant (right or left). Your dominant hand is the one you usually write or throw with.

During setup you're asked to choose the wrist where you're going to wear Alta HR. Should you later decide to move Alta HR to the other wrist, change the Wrist setting. You can also change your dominant hand at any time with the Handedness setting. Both settings are found in the Account section of the Fitbit app.

Using the Tap Display

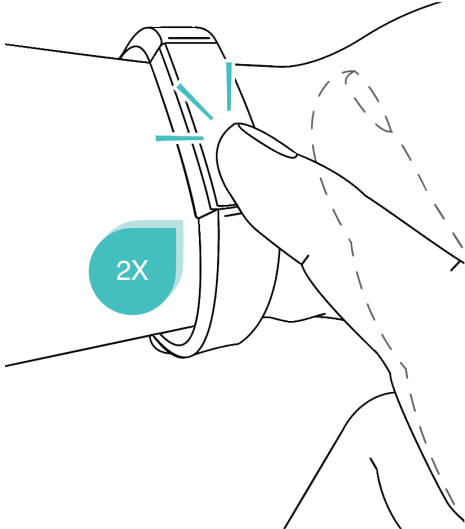
Alta HR has an OLED tap display that can be oriented horizontally or vertically. You can choose from several clock faces, each with a unique design. Single-tap the display to flip through your stats.



When you're not using Alta HR the screen is dimmed. To wake it up:

- Double-tap your tracker.
- Turn your wrist towards you. This behavior, known as Quick View, can be turned off in your tracker settings.

For best results, tap your tracker where the screen meets the band as shown.

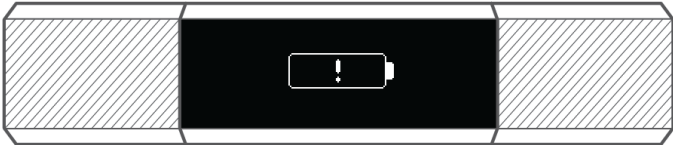


Recharging the battery

Your fully charged Alta HR has a battery life of up to five days. Battery life and charge cycles vary with use and other factors; actual results will vary.

Finding your current battery level

If your battery is low, when you wake up your Alta HR you'll see low battery icon after a few seconds. If you see a critical battery icon you'll be unable to flip through your stats until you charge your tracker. Your tracker continues to track your activity until your battery runs out. Note that heart rate tracking will stop when your battery level is at approximately five percent.



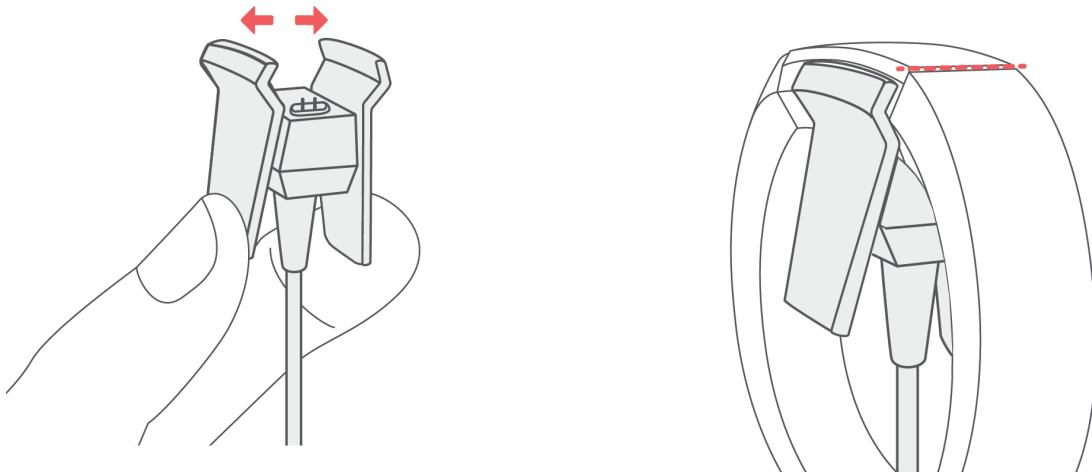
Critically low battery

You can check your battery level at any time on the battery screen on your tracker or on your Fitbit dashboard. You must turn on the battery screen in the Fitbit app, it is not on your tracker by default.

Charging instructions

To charge your tracker:

1. Plug the charging cable into the USB port on your computer or a UL-certified USB wall charger.
2. Clip the other end of the charging cable to the port on the back of the tracker. The pins on the charging cable must lock securely with the port. You'll know the connection is secure when the tracker vibrates and you see a battery icon on your tracker's display. The battery icon disappears after three seconds.



Charging fully takes about one to two hours. While the tracker charges, you can tap it to check the battery level. A fully charged tracker shows a solid battery icon.

Caring for your tracker

It's important to clean and dry your Alta HR regularly. For instructions and more information see <http://www.fitbit.com/productcare>.

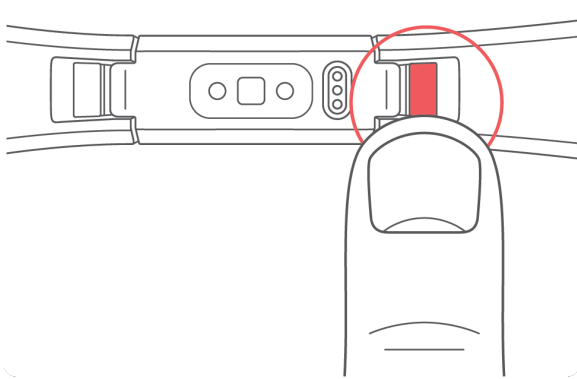
Changing the wristband

The wristband has two separate bands (top and bottom) that you can swap with accessory bands sold separately.

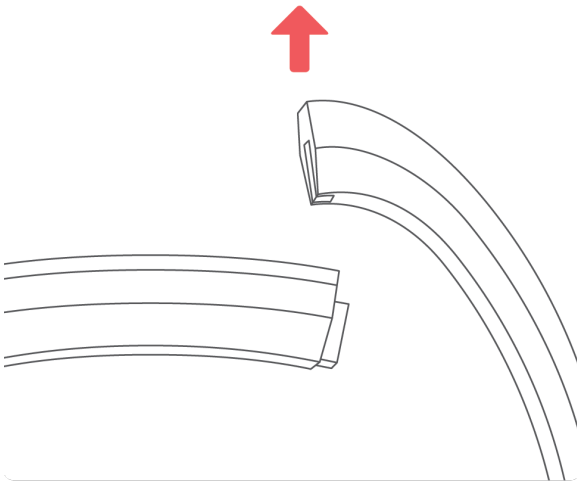
Removing a wristband

To remove the wristband:

1. Turn over your Alta HR and find the band latches—there's one on each end where the band meets the frame.
2. To release the latch, press down on the flat metal button on the strap.



3. Slide the band up to release it from the tracker.

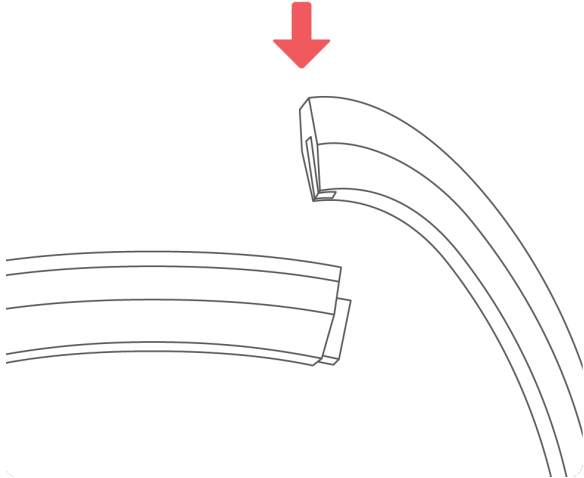


4. Repeat on the other side.

If you're having trouble removing the band or if it feels stuck, gently move the band back and forth to release it.

Attaching a new wristband

To attach a band, slide it down on the end of the tracker until you feel it snap into place.



Automatic Tracking with Fitbit Alta HR

Your Alta HR continuously tracks a variety of stats whenever you have it on. The information is transferred to your dashboard every time you sync your tracker.

Viewing all-day stats

Tap your Alta HR to see these all-day stats:

- Steps taken
- Heart rate
- Resting heart rate (optional)
- Distance covered
- Calories burned
- Active minutes

On your Fitbit dashboard you can find other information captured by your tracker, such as:

- Your sleep history, including hours slept and sleep patterns
- The hours of your day that you were stationary vs. active (walked at least 250 steps)
- Your exercise history and progress towards a weekly exercise goal
- Your beats per minute (BPM), average resting heart rate, and time spent in heart-rate zones

Note: Alta HR stats reset at midnight to begin a new day.

Double-tap your Alta HR to wake it up. When you see the clock, tap to see each of your stats in turn. If you have an alarm set, you'll also see the next alarm time.



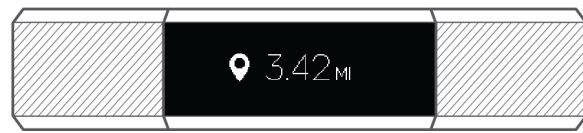
Steps



Heart rate



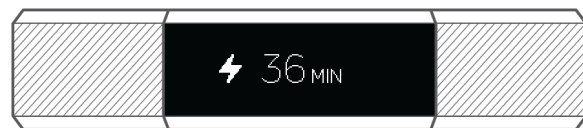
Resting heart rate (optional screen)



Distance



Calories



Active minutes

Viewing your heart rate


Alta HR allows you to view your real-time heart rate and your resting heart rate on your tracker. To view your heart rate, tap your tracker until you get to the heart rate screen where you'll see your current heart rate. Tap again until you get to the resting heart rate screen to see your resting heart rate. You must turn on the resting heart rate screen in the Fitbit app.

Using heart-rate zones

Heart-rate zones help you target the training intensity of your choice. Your tracker shows your current zone beside your heart rate, and on your Fitbit dashboard you can see your time spent in zones during a particular day or exercise. Three zones based on American Heart Association recommendations are available by default, or you can create a custom zone if you have a specific heart rate you're targeting.

Default heart-rate zones

Default heart-rate zones are calculated using your estimated maximum heart rate. Fitbit calculates your maximum heart rate with the common formula of 220 minus your age.

Icon	Zone	Calculation	Description
	Out of Zone	Below 50% of your maximum heart rate.	Your heart rate may be elevated but not enough to be considered exercise.
	Fat Burn	Between 50% and 69% of your maximum heart rate.	Low-to-medium intensity exercise zone. This zone may be a good place to start for those new to exercise. It's called the Fat Burn zone because a higher percentage of calories are burned from fat, but the total calorie burn rate is lower.
	Cardio	Between 70% and 84% of maximum heart rate.	Medium-to-high intensity exercise zone. In this zone you're pushing yourself but not straining. For most people this is the exercise zone to target.
	Peak	Greater than 85% of your maximum heart rate.	High-intensity exercise zone. This zone is for short intense sessions that improve performance and speed.

Custom heart rate zones

Instead of using the default heart-rate zones, you can configure a custom zone or a custom max heart rate if you have a specific target in mind. For example, elite athletes might have a target that differs from the American Heart Association's recommendations for the average person. When you're in your custom zone you'll see a solid heart on your tracker. When you're not in the zone you'll see an outline of a heart.

For more details about heart rate tracking, including links to relevant American Heart Rate Association information, see help.fitbit.com.

Tracking a daily activity goal

Your Alta HR tracks your progress towards a daily activity goal of your choice. When you reach your goal, the tracker vibrates and shows a celebration.

Choosing a goal

By default your goal is 10,000 steps per day, but you may have changed this goal when you set up your account. You can change the goal to distance traveled, calories burned, or active minutes and select the corresponding value you prefer. For example, you may want to keep steps as your goal but change the target from 10,000 to 20,000 steps.

Seeing goal progress

A goal progress bar helps keep you motivated. The filled in portion of the bar shown below indicates that you're more than halfway to your goal.



Tracking exercise

SmartTrack ensures you get credit for your most active moments of the day. When you sync your tracker after a SmartTrack-detected exercise, you can find several stats in your exercise history including duration, calories burned, impact on your day, and more.

By default, SmartTrack detects continuous movement at least 15 minutes in length. You can increase or decrease the minimum duration or disable SmartTrack for one or more exercise types. For more information about customizing and using SmartTrack, see help.fitbit.com.

Tracking hourly activity

Alta HR helps keep you active throughout the day by keeping track of when you're stationary and reminding you to move.

If you haven't walked at least 250 steps in a given hour, at ten minutes before the hour you'll feel a vibration reminding you to walk. When you meet the 250-step goal after receiving a reminder, you'll feel a second vibration and see a congratulatory message. For more information, including how to customize the hours you receive reminders, see help.fitbit.com.



Sleep Tracking

Wear your Alta HR to bed to automatically track both your time spent asleep and your sleep quality. To see your sleep information, sync your tracker when you wake up and check your dashboard.

For more details about sleep tracking see help.fitbit.com.

Setting sleep goals

By default, you have a customizable sleep goal of 8 hours of sleep per night. For more information about your sleep goal, including how to change it, see help.fitbit.com.

Setting up bedtime reminders

Your Fitbit dashboard can recommend consistent bedtimes and wake times to help you improve the consistency of your sleep cycle. You can even choose to be reminded nightly when it's time to start winding down for bed.

For more information about setting up bedtime reminders, see help.fitbit.com.



Learning about your sleep habits

Your Alta HR tracks several sleep metrics including how long you're asleep and time spent in each sleep stage. When used with the Fitbit dashboard, your Alta HR can help you understand how your sleep patterns compare to others who share your age range and gender. For more information about what happens when you're asleep, see help.fitbit.com.

Using Silent Alarms

Alta HR can gently vibrate to wake or alert you with a silent alarm. You can set up to eight alarms to recur every day or on particular days of the week only. When the alarm goes off, simply double tap to dismiss.

For more information about customizing and using silent alarms, see help.fitbit.com.



Receiving Call, Text & Calendar Notifications

Over 200 compatible iOS and Android mobile devices let you receive incoming phone call, text message, and calendar event notifications on your Alta HR when your mobile device is nearby. To determine whether your device supports this feature, go to <http://www.fitbit.com/devices>. Note that notifications aren't available with the Fitbit app for Windows 10.

Calendar requirements

If you turn on calendar notifications, your tracker will show calendar events and any information sent from your calendar app to your mobile device. Note that if your calendar app does not send notifications to your mobile device, you won't receive notifications on your tracker.



If you have an iOS device, your Alta HR shows notifications from all calendars synced to the default iOS Calendar app. If you have a third-party calendar that is not synced to the iOS Calendar app, you won't see notifications from that calendar.

If you have an Android device, your Alta HR shows calendar notifications from the calendar app you choose during setup. You can choose from the default Calendar app on your mobile device or several third-party calendar apps.

Enabling notifications

Before you turn on notifications in the Fitbit app, make sure that Bluetooth on your mobile device is turned on and that your mobile device is capable of sending notifications (often under Settings > Notifications).

For more information about making sure your mobile device permits notifications, see help.fitbit.com.

Call and text notifications are on by default. To turn on calendar notifications:

1. With your tracker nearby, on the Fitbit app dashboard, tap the Account icon (☰).
2. Tap the Alta HR tile.
3. Tap **Notifications** and turn on or off any combination of text, call, or calendar notifications.
4. Follow the onscreen instructions to connect (bond) your mobile device with your tracker.

After notifications are enabled, “Alta HR” appears in the list of Bluetooth devices paired to your mobile device.

Note: If this is your first time setting up notifications on your Android mobile device, for detailed instructions, see help.fitbit.com.

Viewing incoming notifications

If your tracker and mobile device are within 30 feet of each other, a call, text message, or calendar event causes the tracker to vibrate. Your screen will remain off until you wake it up to view the notification. To wake up your tracker and view the notification, turn your wrist towards you or double-tap your tracker. The notification is available for one minute after you receive it. If you have more than one unread notification, you’ll see a plus sign (+) indicator.

For phone calls, the notification scrolls three times with the name or number of the caller.



For text messages, the sender’s name scrolls, followed by the message.



For calendar events, the event time scrolls, followed by the name of the event.



The character limit for notifications is 40. Note that for readability, all notifications are shown horizontally, even if your clock orientation is normally vertical.

Customizing your Fitbit Alta HR

This section explains how to change your clock face and modify certain tracker behaviors.

Changing the clock face and orientation

Alta HR comes with several clock faces, available in horizontal and vertical styles.

You can change your clock face using the Fitbit app or the [fitbit.com](https://help.fitbit.com) dashboard. For more information, see help.fitbit.com.

Note that all notifications and reminders are shown horizontally, even if your clock orientation is vertical.

Using Quick View

To preserve battery your screen turns off when not in use. It wakes up automatically when you turn your wrist towards you (known as Quick View), or you can wake it up by double tapping your tracker.

For more information about turning Quick View on or off, see help.fitbit.com.

Note that Quick View works best when wearing the tracker properly as described in [Error! Reference source not found.](#)

Adjusting the heart rate tracker

Your Alta HR uses PurePulse® technology to track heart rate automatically and continuously. The Heart Rate setting has three options:

- Auto (the default)—Heart rate tracking is active when you're wearing your tracker.
- Off—Heart rate tracking is off.
- On—Heart rate tracking is on regardless of whether you're wearing your tracker.

For more information about adjusting the heart rate tracker, see help.fitbit.com

Updating your Fitbit Alta HR

We occasionally make free feature enhancements and product improvements available through firmware updates. We recommend keeping your Alta HR up to date.

When a firmware update is available you'll see a notification in the Fitbit app prompting you to update. When the update starts, a progress bar appears on the tracker and in the Fitbit app until the update is complete.

Keep your tracker and mobile device close to each other during the update process.

Note: Updating your Alta HR takes several minutes and may be demanding on the battery. For this reason, we recommend updating while your tracker is fully charged or plugged into the charging cable.

Troubleshooting your Fitbit Alta HR

If your tracker is not working properly, review our troubleshooting guidance below.

Visit help.fitbit.com more information.

Heart-rate signal missing

Alta HR continuously tracks your heart rate while you're exercising and throughout the day. Occasionally the heart rate tracker may have difficulty finding a good signal. When this happens you'll see dashed lines where your current heart rate usually appears.



If you're not getting a heart rate signal, first make sure you're wearing your tracker correctly, either moving it higher or lower on your wrist or tightening or loosening the band. After holding your arm still and straight for a short wait, you should see your heart rate again. If the heart rate signal is still missing, check your Heart Rate setting on your Fitbit dashboard and make sure it's set to On or Auto.

Unexpected behavior

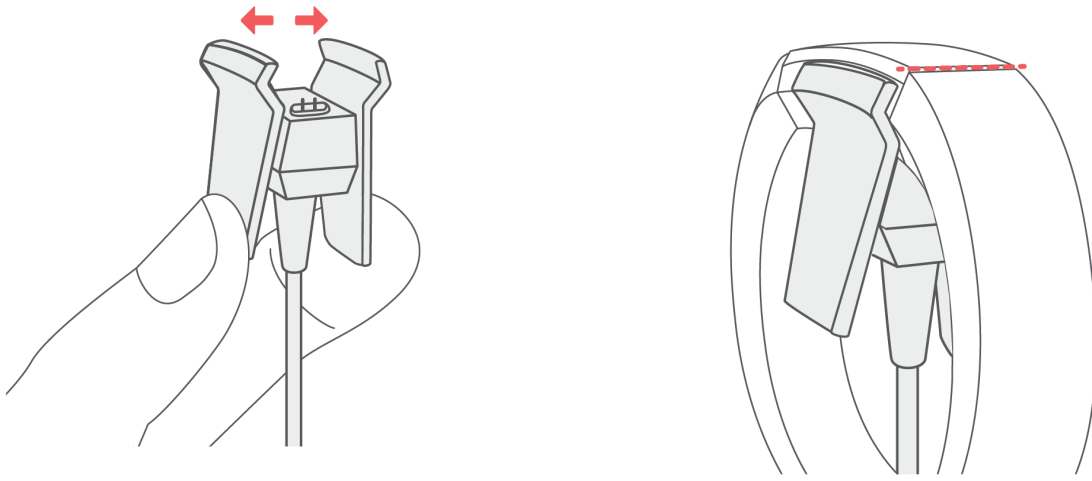
If you experience one of the following problems, it may be fixed by restarting your tracker:

- Not syncing despite successful setup
- Not responding to taps despite being charged
- Not tracking your steps or other data

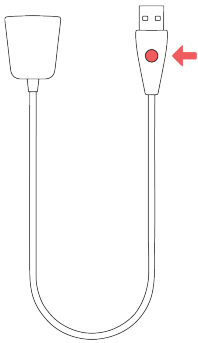
Note: Restarting your tracker reboots the device but does not delete any data.

To restart your tracker:

1. Plug the charging cable into the USB port on your computer or a UL-certified USB wall charger.
2. Clip the other end of the charging cable to the port on the back of the tracker. The pins on the charging cable must lock securely with the port. You'll know the connection is secure when the tracker vibrates and you see a battery icon on your tracker's display. The battery icon disappears after three seconds.



3. Press the button on your charging cable three times within four seconds, briefly pausing between presses. The button is on the end of the charging cable that is plugged into the computer.



When you see the Fitbit logo and the tracker vibrates, this means the tracker has restarted.

After your tracker restarts you can unplug it from the charging cable and put it back on. For additional troubleshooting or to contact Customer Support, see help.fitbit.com.

Fitbit Alta HR General Info & Specifications

Sensors

Your Fitbit Alta HR contains the following sensors and motors:

- A MEMS 3-axis accelerometer, which tracks your motion patterns
- An optical heart rate tracker

Materials

The wristband that comes with Alta HR is made of a flexible, durable elastomer material similar to that used in many sports watches. It does not contain latex. Accessory wristbands are available in genuine leather.

The frame on Alta HR is made of surgical-grade stainless steel. The buckle is made of aluminum. While all stainless steel contains traces of nickel and can cause an allergic reaction in someone with nickel sensitivity, the amount of nickel in all Fitbit products meets the European Union's stringent Nickel Directive.

Wireless technology

Alta HR contains a Bluetooth 4.0 radio transceiver.

Haptic feedback

Alta HR contains a vibration motor for alarms, goals, notifications, and reminders.

Battery

Alta HR contains a rechargeable lithium-polymer battery.

Memory

Refer to the following table for information on how long Alta HR stores your stats and data in between the times you sync your tracker. Stored data consists of steps, distance, calories burned, active minutes, heart rate, sleep, and stationary vs. active hours.

We recommend syncing your tracker at least once a day.

Type of data	Days stored
Minute-by-minute stats	6
Sleep data	7
Sleep stages	1
SmartTrack data	7
Summary totals	30

Display

Alta HR has an OLED tap display.

Size

Wristband sizes are shown below. Note that accessory wristbands sold separately may vary slightly.

Small wristband	Fits a wrist between 5.5 and 6.7 inches in circumference
Large wristband	Fits a wrist between 6.7 and 8.1 inches in circumference
Extra large wristband	Fits a wrist between 8.1 and 9.3 inches in circumference

Environmental conditions

Operating Temperature	14° to 113° F (-10° to 45° C)
-----------------------	----------------------------------

Non-operating Temperature	-4° to 14° F (-20 to -10 C°)
	113° to 140° F (45° to 60° C)

Water Resistant	Splash proof. Do not shower with the device or submerge it in water.
-----------------	--

Maximum Operating Altitude	30,000 feet (9,144 m)
----------------------------	--------------------------

Learn more

To learn more about your tracker and dashboard, visit <http://help.fitbit.com>.

Return policy and warranty

Warranty information and the fitbit.com return policy can be found at <http://www.fitbit.com/returns>.

Regulatory & Safety Notices

Model Name: FB408

USA: Federal Communications Commission (FCC) statement

Notice to the User: The FCC and Industry Canada IDs can also be viewed on your device. To view content:

- While your tracker is charging, press the button on the charging cable six times to see the Regulatory screen.

This device complies with FCC part 15 FCC Rules.

Operation is subject to the following two conditions:

1. This device may not cause harmful interference and
2. This device must accept any interference received, including interference that may cause undesired operation

FCC Warning

Changes or modifications not approved by Fitbit, Inc. could void the user's authority to operate the equipment.

Note: This equipment has been tested and found to comply with the limits for a Class B digital device, pursuant to part 15 of the FCC Rules. These limits are designed to provide reasonable protection against harmful interference in a residential installation. This equipment generates, uses and can radiate radio frequency energy and, if not installed and used in accordance with the instructions, may cause harmful interference to radio communications. However, there is no guarantee that interference will not occur in a particular installation. If this equipment does cause harmful interference to radio or television reception, which can be determined by turning the equipment off and on, the user is encouraged to try to correct the interference by one or more of the following measures:

- Reorient or relocate the receiving antenna
- Increase the separation between the equipment and receiver
- Connect the equipment into an outlet on a circuit different from that to which the receiver is connected.
- Consult the dealer or an experienced radio/TV technician for help.

This device meets the FCC requirements for RF exposure in public or uncontrolled environments.

FCC ID: XRAFB408

Canada: Industry Canada (IC) statement

This device meets the IC requirements for RF exposure in public or uncontrolled environments.

Cet appareil est conforme aux conditions de la IC en matière de RF dans des environnements publics ou incontrôlée

IC Notice to Users in accordance with the current RSS GEN:

This device complies with Industry Canada license exempt RSS standard(s). Operation is subject to the following two conditions:

1. This device may not cause interference, and
2. This device must accept any interference, including interference that may cause undesired operation of the device

Cet appareil est conforme avec Industrie Canada RSS standard exempts de licence (s). Son utilisation est soumise à Les deux conditions suivantes:

1. Cet appareil ne peut pas provoquer d'interférences et
2. Cet appareil doit accepter Toute interférence, y compris les interférences qui peuvent causer un mauvais fonctionnement du dispositif

IC: 8542A-FB408

European Union (EU)

Simplified Declaration of Conformity with regard to Directive 1999/5/EC:

Fitbit Inc. hereby declares that the Fitbit Alta HR (model FB408) complies with the fundamental requirements and the other relevant provisions of Directive 1999/5/EC. The CE Declaration of Conformity for this product can be found at <http://www.fitbit.com/safety>.

Déclaration simplifiée de conformité relative à la directive 1999/5/CE:

Fitbit Inc. déclare par la présente que le Fitbit Alta HR (modèle FB408) est en conformité avec les exigences essentielles et autres dispositions pertinentes de la directive 1999/5/CE. La déclaration CE de conformité de ce produit est disponible à l'adresse suivante www.fitbit.com/safety.

Dichiarazione semplificata di conformità alla direttiva UE 1999/5/CE:

Fitbit Inc. dichiara che Fitbit Alta HR (modello FB408) è conforme ai requisiti fondamentali e alle disposizioni applicabili della Direttiva 1999/5/CE. La Dichiarazione di Conformità CE per questo prodotto è disponibile all'indirizzo www.fitbit.com/safety.

Vereinfachte Konformitätserklärung bezüglich der Richtlinie 1999/5/EG:

Hiermit erklärt Fitbit Inc., dass sich das Gerät Fitbit Alta HR (Modellreihe: FB408) in Übereinstimmung mit den grundlegenden Anforderungen und den übrigen einschlägigen Bestimmungen der Richtlinie 1999/5/EG befindet. Der vollständige Text der EU-Konformitätserklärung ist unter der folgenden Internetadresse verfügbar: www.fitbit.com/safety.

Declaración simplificada de conformidad de acuerdo con la Directiva 1999/5/CE:

Fitbit Inc. declara así que el Fitbit Alta HR (modelo FB408) cumple con los requisitos fundamentales y demás disposiciones pertinentes de la Directiva 1999/5/CE. La declaración de conformidad de la CE de este producto puede encontrarse en www.fitbit.com/safety.



Australia and New Zealand

Notice to the User: Regulatory content for this region can also be viewed on your device. To view content:

- While your tracker is charging, press the button on the charging cable six times to see the Regulatory screen.



China

Notice to the User: Regulatory content for this region can also be viewed on your device. To view content:

- While your tracker is charging, press the button on the charging cable six times to see the Regulatory screen.



部件名称	有毒和危险品					
	铅 (Pb)	水银 (Hg)	镉 (Cd)	六价铬 (Cr(VI))	多溴化苯 (PBB)	多溴化二苯醚 (PBDE)
Alta HR Model FB408						
表带和表扣	○	○	○	○	○	○
电子	X	○	○	○	○	○
电池	○	○	○	○	○	○
充电线	X	○	○	○	○	○
<p>本表格依据 SJ/T 11364 的规定编制</p> <p>O: 表示该项目中涉及的所有物料, 其包含的有害物质的含量低于 GB/T 26572. 标准的限制要求.</p> <p>X: 表示该项目中涉及的所有物料中至少有一种, 其包含的有害物质的含量高于 GB/T 26572. 标准的限制要求.</p>						

Mexico



IFETEL: RCPFIFB16-2045

La operación de este equipo está sujeta a las siguientes dos condiciones:

1. Es posible que este equipo o dispositivo no cause interferencia perjudicial y
2. Este equipo o dispositivo debe aceptar cualquier interferencia, incluyendo la que pueda causar su operación no deseada

Israel

אישור התאמה 51-57868

אי לבצע כל שינוי טכני בחלק המודולארי של המוצר.

Japan

Notice to the User: Regulatory content for this region can also be viewed on your device. To view content:

- While your tracker is charging, press the button on the charging cable six times to see the Regulatory screen.

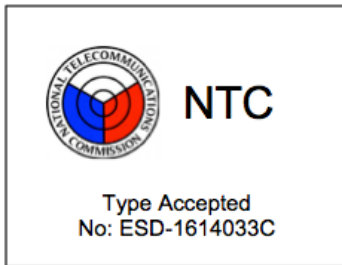


201-163255

Oman

OMAN-TRA/TA-R/3338/16
D090258

Philippines



Serbia



И 005 16

Singapore

Complies with IMDA Standards
DA00006A

South Africa



TA2016/2940

South Korea

Notice to the User: Regulatory content for this region can also be viewed on your device. To view content:

- While your tracker is charging, press the button on the charging cable six times to see the Regulatory screen.

클래스 B 장치 (가정 사용을위한 방송 통신 기기) : EMC 등록 주로 가정용 (B 급)으로하고, 모든 지역에서 사용할 수 있습니다
인용이 장치.

“ 해당 무선설비는 전파혼신 가능성이 있으므로 인명안전과 관련된 서비스는 할 수 없습니다.”



- 사용 주파수 (Used frequency): 2402 MHz-2480 MHz

- 채널수 (The number of channels): 40

- 변조방식(Type of the modulation): Digital

- 안테나타입 (Antenna type): Vertical

- 출력 (Output power): -2.22dBm

- 안테나 종류 (Type of Antenna): Stamped Metal

KCC 인증정보approval information

1) 기기명 Equipment name (model name) : 무선데이터통신시스템용 특정소출력무선기기 **FB408**

2) 인증번호Certificate number : MSIP-CMM-XRA-FB408

3) 상호 또는 성명Applicant : Fitbit, Inc.

4) 제조자Manufacture: Fitbit, Inc.

5) 제조 년월Manufacture / Country of origin: P.R.C.

Taiwan

Fitbit Model FB408



CCAJ16LP8650T2

注意！

依據 低功率電波輻射性電機管理辦法

第十二條 經型式認證合格之低功率射頻電機，非經許可，公司、商號或使用者均不得擅自變更頻率、加大功率或變更原設計之特性及功能

第十四條

低功率射頻電機之使用不得影響飛航安全及干擾合法通信；經發現有干擾現象時，應立即停用，並改善至無干擾時方得繼續使用。

前項合法通信，指依電信法規定作業之無線電通信。

低功率射頻電機須忍受合法通信或工業、科學及醫療用電波輻射性電機設備之干擾。

Article 12

Without permission, any company, firm or user shall not alter the frequency, increase the power, or change the characteristics and functions of the original design of the certified lower power frequency electric machinery.

Article 14

The application of low power frequency electric machineries shall not affect the navigation safety nor interfere a legal communication, if an interference is found, the service will be suspended until improvement is made and the interference no longer exists. The foregoing legal communication refers to the wireless telecommunication operated according to the telecommunications laws and regulations. The low power frequency electric machinery should be able to tolerate the interference of the electric wave radiation electric machineries and equipment for legal communications or industrial and scientific applications.

United Arab Emirates

TRA Registered No.: ER51305/17
Dealer No.: DA35294/14

Safety statement

This equipment has been tested to comply with safety certification in accordance with the specifications of EN Standard: EN60950-1:2006 + A11:2009 + A1:2010 + A12: 2011 + A2:2013.

©2017 Fitbit, Inc. All rights reserved. Fitbit and the Fitbit logo are trademarks or registered trademarks of Fitbit in the US and other countries. A more complete list of Fitbit trademarks can be found at <http://www.fitbit.com/legal/trademark-list>. Third-party trademarks mentioned are the property of their respective owners.